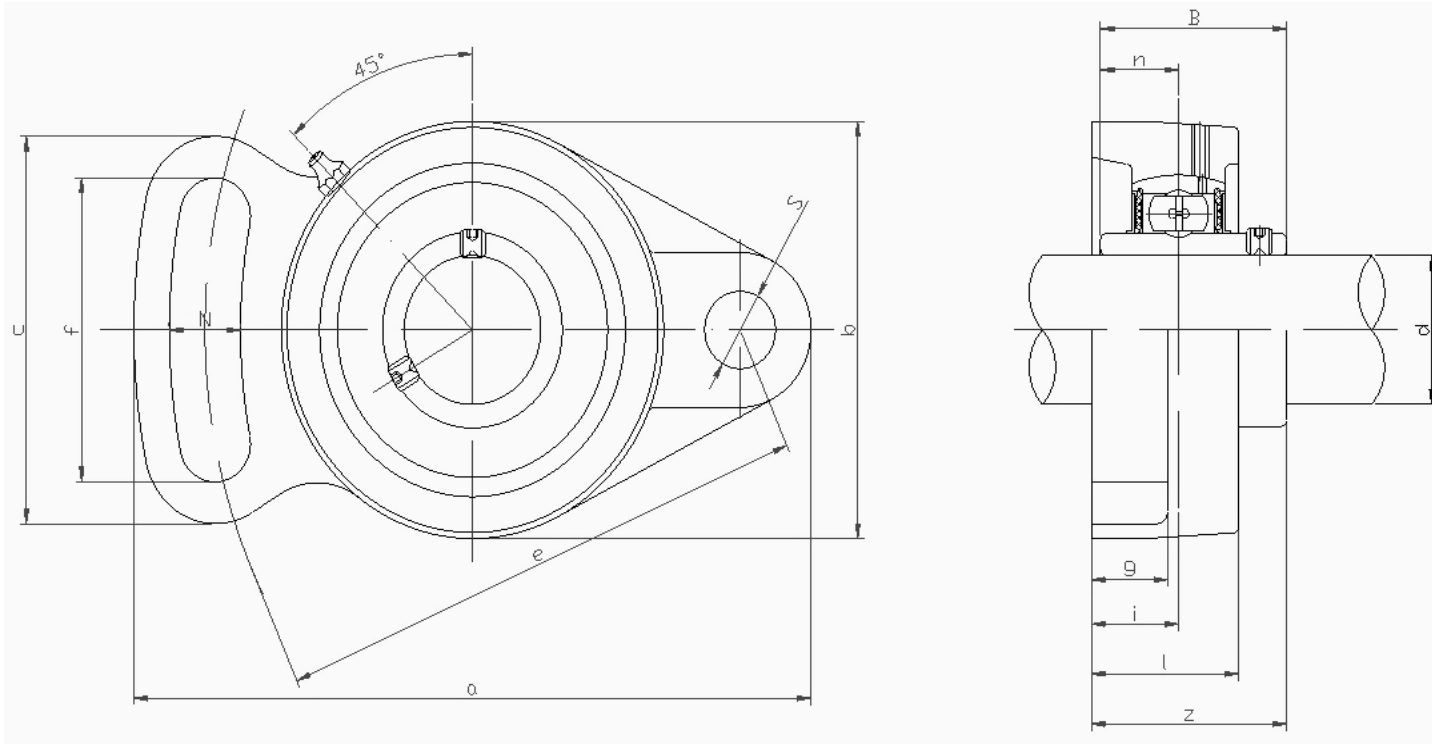


HMS INDUSTRIES

2-BOLT ADJUSTABLE FLANGE UNIT

UCFA200-SERIES (SS- prefix represents a stainless steel unit)



HMS Unit No.	Dimensions ^{mm} _{in.}												Bolt Size ^{mm} _{in.}	Bearings No.	Housing No.	Weight (kg)			
	d	a	e	i	g	L	b	N	f	c	S	Z					B	n	
UCFA201	12											33.3	31	12.7	M8 5/16	UC201	SFA204	0.50	
UCFA201-8	1/2											1-5/16	1.2205	0.500		UC201-8		0.49	
UCFA202	15											33.3	31	12.7		UC202	SFA204	0.49	
UCFA202-9	9/16	98	78	15	12	25.5	60	10	40	50	10	1-5/16	1.2205	0.500		UC202-9			
UCFA202-10	5/8	3-55/64	3-5/64	19/32	15/32	1	2-3/8	25/64	1-31/32	1.2205	25/64	1-5/16	1.2205	0.500		UC202-10			
UCFA203	17											33.3	31	12.7		M8 5/16	UC203	SFA204	0.48
UCFA203-11	11/16											1-5/16	1.2205	0.500			UC203-11		0.47
UCFA204	20	98	78	15	12	25.5	60	10	40	50	10	33.3	31	12.7		M8 5/16	UC204	SFA204	0.46
UCFA204-12	3/4	3-55/64	3-5/64	19/32	15/32	1	2-3/8	25/64	1-31/32	1.2205	25/64	1-5/16	1.2205	0.500			UC204-12		

UCFA205	25															UC205		0.66
UCFA205-13	13/16															UC205-13		0.70
UCFA205-14	7/8	124	98	16	14	27	70	13	51	65	13	35.8	34.1	14.3	M10	UC205-14	SFA205	0.69
UCFA205-15	15/16	4-7/8	3-55/64	5/8	35/64	1-1/16	2-3/4	33/64	2-1/64	2-9/16	33/64	1-13/32	1.3425	0.563	3/8	UC205-15		0.67
UCFA205-16	1															UC205-16		0.66
UCFA206	30															UC206		0.93
UCFA206-17	1-1/16															UC206-17		0.96
UCFA206-18	1-1/8	141	115	18	14	31	83	13	58	72	13	40.2	38.1	15.9	M10	UC206-18	SFA206	0.95
UCFA206-19	1-3/16	5-35/64	4-17/32	45/64	35/64	1-7/32	3-17/64	33/64	2-9/32	2-27/32	33/64	1-19/32	1.500	0.626	3/8	UC206-19		0.93
UCFA206-20	1-1/4															UC206-20		0.92
UCFA207	35															UC207		1.46
UCFA207-20	1-1/4															UC207-20		1.52
UCFA207-21	1-5/16	155	128	19	16	34	96	15	66	82	15	44.4	42.9	17.5	M12	UC207-21	SFA207	1.49
UCFA207-22	1-3/8	6-7/64	5-3/64	3/4	5/8	1-11/32	3-25/32	19/32	2-19/32	3-15/64	19/32	1-3/4	1.6890	0.689	7/16	UC207-22		1.46
UCFA207-23	1-7/16															UC207-23		1.43
UCFA208	40															UC208		1.78
UCFA208-24	1-1/2	171	142	21	16	38	105	15	71	87	15	51.2	49.2	19	M14	UC208-24	SFA208	1.82
UCFA208-25	1-9/16	47/64	5-19/32	53/64	5/8	1-1/2	4-9/64	19/32	2-51/64	3-27/64	19/32	2-1/64	1.9370	0.748	1/2	UC208-25		1.79
UCFA209	45															UC209		2.03
UCFA209-26	1-5/8	179	146	22	18	40	111	17	72	90	17	52.2	49.2	19	M14	UC209-26	SFA209	2.13
UCFA209-27	1-11/16	7-3/64	5-3/4	55/64	23/32	1-37/64	4-3/8	43/64	2-53/64	3-35/64	43/64	2-1/16	1.9370	0.748	1/2	UC209-27		2.09
UCFA209-28	1-3/4															UC209-28		2.05
UCFA210	50															UC210		2.23
UCFA210-29	1-13/16															UC210-29		2.35
UCFA210-30	1-7/8	189	155	22	18	40	116	17	76	94	17	54.6	51.6	19	M14	UC210-30	SFA210	2.30
UCFA210-31	1-15/16	7-7/16	6-7/64	55/64	23/32	1-9/16	4-9/16	43/64	3	3-45/64	43/64	2-5/32	2.0315	0.748	1/2	UC210-31		2.25
UCFA210-32	2															UC210-32		2.21
UCFA211	55															UC211		3.41
UCFA211-32	2															UC211-32		3.56
UCFA211-33	2-1/16	216	182	25	20	44	133	17	86	133	17	58.4	55.6	22.2	M164	UC211-33	SFA211	3.50
UCFA211-34	2-1/8	8-1/2	7-11/64	63/64	25/32	1-47/64	5-51/64	43/64	3-25/64	5-51/64	43/64	1-5/16	2.1890	0.874	1/2	UC211-34		3.45
UCFA211-35	2-3/16															UC211-35		3.39
UCFA212	60															UC212		4.14
UCFA212-36	2-1/4															UC212-36		4.27
UCFA212-37	2-5/16	240	202	29	20	48	118	19	100	140	19	68.7	65.1	25.4	M16	UC212-37	SFA212	4.19
UCFA212-38	2-3/8	9-29/64	7-61/64	1-9/64	25/32	1-57/64	4-41/64	3/4	3-15/16	5-1/2	3/4	2-45/64	2.5630	1.000	5/8	UC212-38		4.12
UCFA212-39	2-7/16															UC212-39		4.05