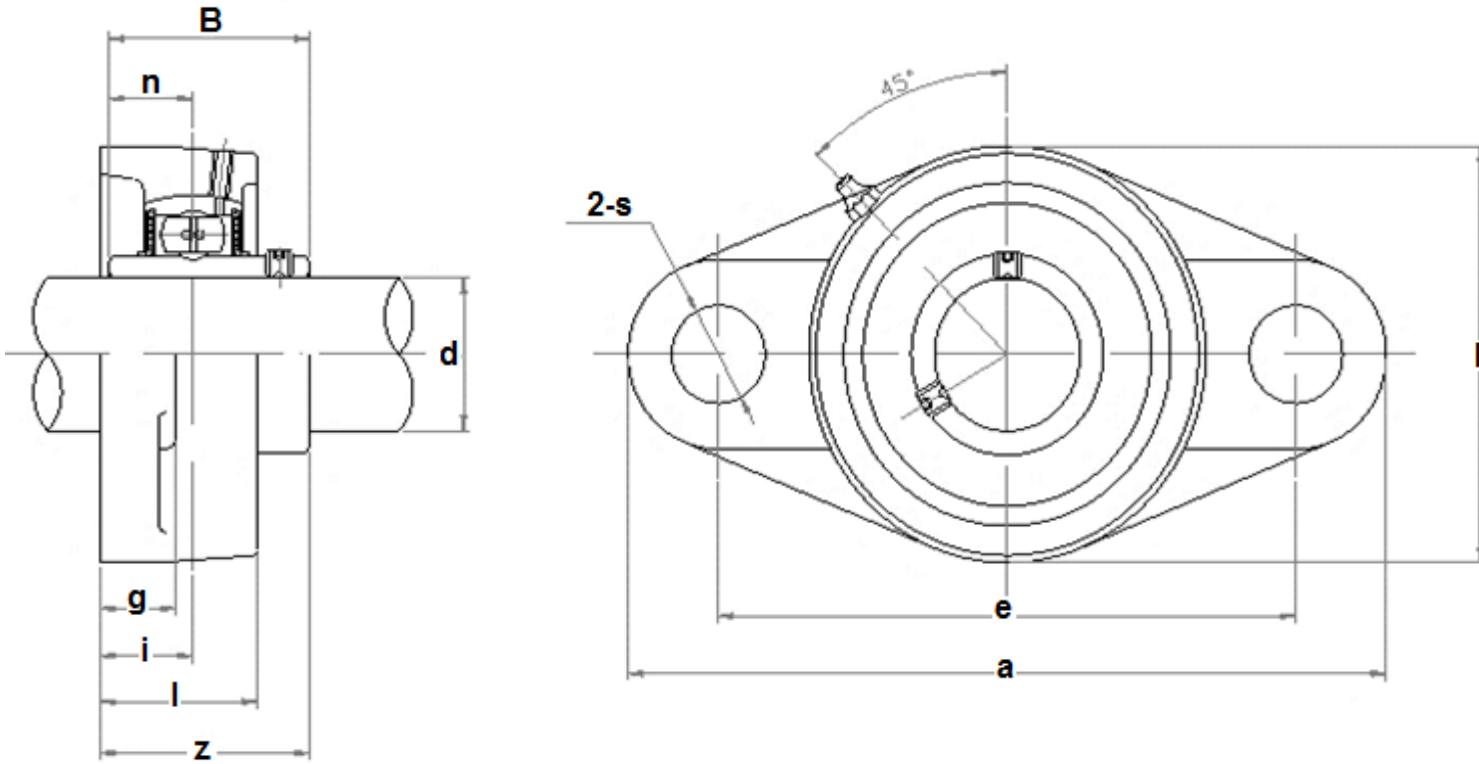


# HMS INDUSTRIES

## 2-BOLT FLANGE - SET SCREW TYPE

UCFL200-SERIES (SS- prefix represents a stainless steel unit)



HMS Unit No.	Dimensions <sup>mm</sup> <sub>in.</sub>											Bolt Size <sup>mm</sup> <sub>in.</sub>	Bearings No.	Housing No.	Weight(kg)
	d	a	e	i	g	l	S	b	z	B	n				
UCFL201	12	113	90	15	11	25.5	12	60	33.3	31	12.7	M10	UC201	SFL204	0.45
UCFL201-8	1/2	4-7/16	3-35/64	19/32	7/16	1	15/32	2-3/8	1-5/16	1.2205	0.500	3/8	UC201-8		0.44
UCFL202	15												UC202		
UCFL202-9	9/16	113	90	15	11	25.5	12	60	33.3	31	12.7	M10	UC202-9	SFL204	0.44
UCFL202-10	5/8	4-7/16	3-35/64	19/32	7/16	1	15/32	2-3/8	1-5/16	1.2205	0.500	3/8	UC202-10		

UCFL203	17	113	90	15	11	25.5	12	60	33.3	31	12.7	M10	UC203	SFL204	0.43
UCFL203-11	11/16	4-7/16	3-35/64	19/32	7/16	1	15/32	2-3/8	1-5/16	1.2205	0.500	3/8	UC203-11		0.42
UCFL204	20	113	90	15	11	25.5	12	60	33.3	31	12.7	M10	UC204	SFL204	0.41
UCFL204-12	3/4	4-7/16	3-35/64	19/32	7/16	1	15/32	2-3/8	1-5/16	1.2205	0.500	3/8	UC204-12		
UCFL205	25												UC205		0.58
UCFL205-13	13/16												UC205-13		0.62
UCFL205-14	7/8	130	99	16	13	27	16	68	35.8	34.1	14.3	M14	UC205-14	SFL205	0.61
UCFL205-15	15/16	5-1/8	3-57/64	5/8	1/2	1-1/16	5/8	2-11/16	1-13/32	1.3425	0.563	1/2	UC205-15		0.59
UCFL205-16	1												UC205-16		0.58
UCFL206	30												UC206		0.86
UCFL206-17	1-1/16												UC206-17		0.89
UCFL206-18	1-1/8	148	117	18	13	31	16	80	40.2	38.1	15.9	M14	UC206-18	SFL206	0.88
UCFL206-19	1-3/16	5-13/16	4-39/64	45/64	1/2	1-7/32	5/8	3-5/32	1-19/32	1.500	0.626	1/2	UC206-19		0.86
UCFL206-20	1-1/4												UC206-20		0.85
UCFL207	35												UC207		1.08
UCFL207-20	1-1/4												UC207-20		1.14
UCFL207-21	1-5/16	161	130	19	14	34	16	90	44.4	42.9	17.5	M14	UC207-21	SFL207	1.11
UCFL207-22	1-3/8	6-11/32	5-1/8	3/4	35/64	1-11/32	5/8	3-35/64	1-3/4	1.6890	0.689	1/2	UC207-22		1.08
UCFL207-23	1-7/16												UC207-23		1.05
UCFL208	40												UC208		1.44
UCFL208-24	1-1/2	175	144	21	14	36	16	100	51.2	49.2	19	M14	UC208-24	SFL208	1.48
UCFL208-25	1-9/16	6-7/8	5-43/64	53/64	35/64	1-27/64	5/8	3-15/16	2-1/64	1.9370	0.748	1/2	UC208-25		1.45
UCFL209	45												UC209		1.74
UCFL209-26	1-5/8	188	148	22	15	38	19	108	52.2	49.2	19	M16	UC209-26	SFL209	1.84
UCFL209-27	1-11/16	7-13/32	5-53/64	55/64	19/32	1-1/2	3/4	4-1/4	2-1/16	1.9370	0.748	5/8	UC209-27		1.80
UCFL209-28	1-3/4												UC209-28		1.76
UCFL210	50												UC210		2.10
UCFL210-29	1-13/16												UC210-29		2.22
UCFL210-30	1-7/8	197	157	22	15	40	19	115	54.6	51.6	19	M16	UC210-30	SFL210	2.17
UCFL210-31	1-15/16	7-3/4	6-3/16	55/64	19/32	1-37/64	3/4	4-17/32	2-5/32	2.0315	0.748	5/8	UC210-31		2.12
UCFL210-32	2												UC210-32		2.08
UCFL211	55												UC211		2.91
UCFL211-32	2												UC211-32		3.06
UCFL211-33	2-1/16	224	184	25	18	43	19	130	58.4	55.6	22.2	M16	UC211-33	SFL211	3
UCFL211-34	2-1/8	8-13/16	7-1/4	63/64	23/32	1-11/16	3/4	5-1/8	2-5/16	2.1890	0.874	5/8	UC211-34		2.95
UCFL211-35	2-3/16												UC211-35		2.89

UCFL212	60												UC212		3.74
UCFL212-36	2-1/4												UC212-36		3.87
UCFL212-37	2-5/16	250	202	29	18	48	23	140	68.7	65.1	25.4	M20	UC212-37	SFL212	3.79
UCFL212-38	2-3/8	9-27/32	7-61/64	1-9/64	23/32	1-7/8	29/32	5-1/2	2-23/32	2.5630	1.000	3/4	UC212-38		3.72
UCFL212-39	2-7/16												UC212-39		3.65
UCFL213	65												UC213		4.57
UCFL213-40	2-1/2	258	210	30	22	50	23	155	69.7	65.1	25.4	M20	UC213-40	SFL213	4.66
UCFL213-41	2-9/16	10-5/32	8-17/64	1-3/16	55/64	1-31/32	29/32	6-3/32	2-3/4	2.5630	1.000	3/4	UC213-41		4.57
UCFL214	70												UC214		5.11
UCFL214-42	2-5/8	265	210	30	22	54	23	160	75.4	74.6	30.2	M20	UC214-42	SFL214	5.32
UCFL214-43	2-11/16	10-5/32	5-17/64	1-3/16	55/64	2-1/8	29/32	6-5/16	2-31/32	2.9370	1.189	3/4	UC214-43		5.22
UCFL214-44	2-3/4												UC214-44		5.12
UCFL215	75												UC215		5.37
UCFL215-45	2-13/16												UC215-45		5.62
UCFL215-46	2-7/8	275	225	34	22	56	23	165	78.5	77.8	33.3	M20	UC215-46	SFL215	5.51
UCFL215-47	2-15/16	10-13/16	8-55/64	1-11/32	55/64	2-7/32	29/32	6-1/2	3-3/32	3.063	1.311	3/4	UC215-47		5.4
UCFL215-48	3												UC215-48		5.25